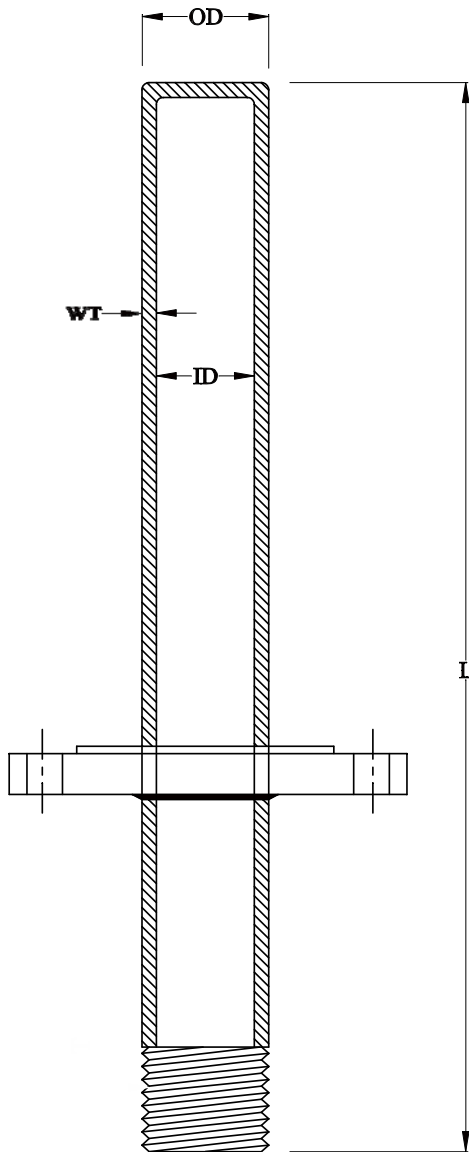


STAINLESS STEEL TUBE WITH FLANGE



OD X ID (mm)
3x2.2
4x3.7
4.5x3.7
5x4
6x5
8x6.5
9.5x7.1
10 x 7
12x8
21.3x2.77 ½"NB SCH 40
21.3x3.77 ½"NB SCH 80
21.3x4.77 ½"NB SCH 160
26.67 x 20.93 ¾" NB SCH 40
26.67 x 18.85 ¾" NB SCH 80
26.67 x 15.59 ¾" NB SCH 160
33.4 x 24.30 1" NB SCH 80
33.4 x 20.70 1" NB SCH 160
26.7x5.35
33x8.5
33.4x21

Temperature Sensor Technology